

## Taper Pin Bushing Identification

### Key Measurements

Bushing Outside Diameter (OD)

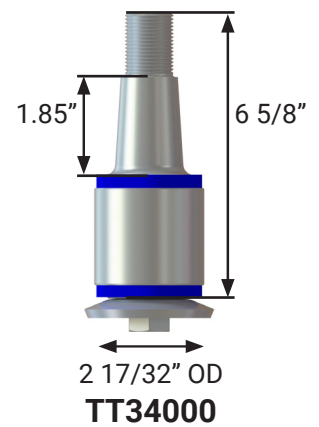
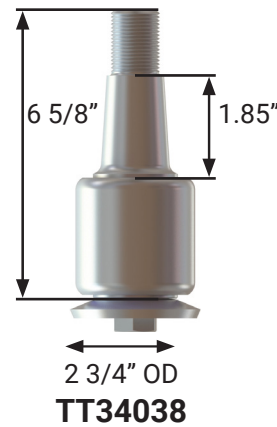
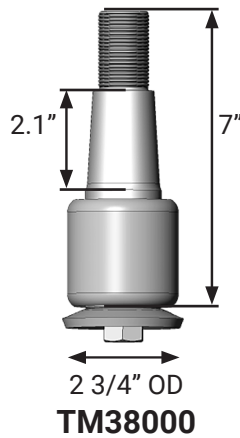
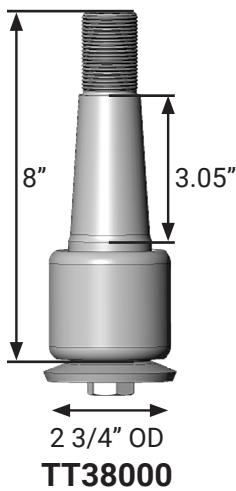
Total Length of Taper, including bushing but not including the retaining washer

Thread Size

### Press Fit Taper Bushings

1 1/4"-12 UNF-2A Thread

1 1/8"-12 UNF-2A Thread

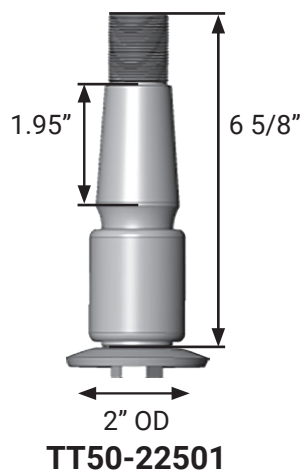
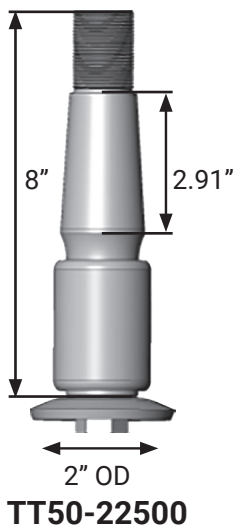


### Press Fit Taper Bushings

For Atro Small Eye Rods ONLY

1 1/4"-12 UNF-2A Thread

1 1/8"-12 UNF-2A Thread



### Jam Style Taper Bushings

For Hendrickson ULTRA ROD®

1-1/4"-12 UNF-2A Thread

1-1/8"-12 UNF-2A Thread

