

NOVEMBER 24, 2020

PRODUCT SPOTLIGHT



CR00-67661

Carrier Bearing Assembly, Self-Aligning

Bearing Angular Allowance: +/-10 degrees

Series 1810

REPLACES

Dana-Spicer 10094142

Dana-Spicer 5003323

DIMENSIONS

ASSEMBLY:

Height: 7-5/8"

Width: 3-3/4"

Length: 10"

BEARING:

Bearing ID: 60mm

Center Height: 3-3/8"

Bolt Holes: 8 5/8" c-c

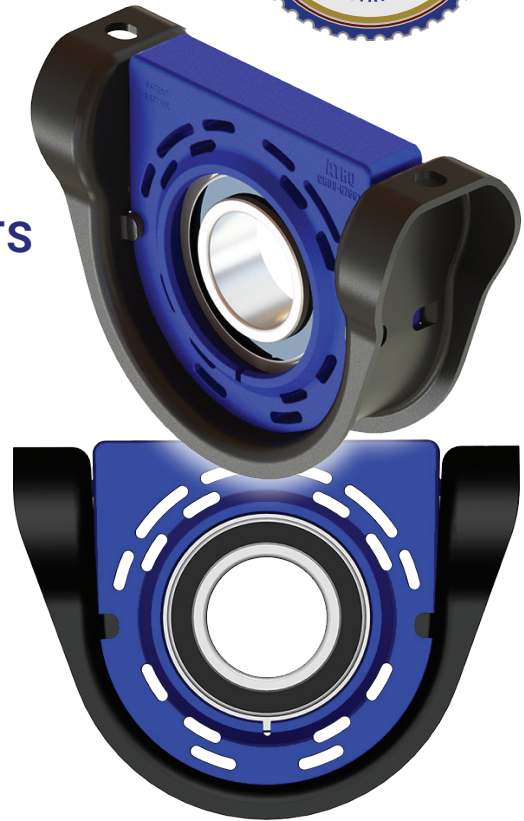
Bolt Size: 1/2"

FEATURES & BENEFITS

- ▶ **Polyurethane**
 - ◆ Chemically Resistant
 - ◆ Vibration Absorbing

- ▶ **Patented Pivoting Bearing**
 - ◆ ± 10° of Articulation
 - ◆ Sealed
 - Prevents Contamination
 - Retains Lubricant

- ▶ **Heavy Duty Steel Housing**
 - ◆ 7 Gauge Steel



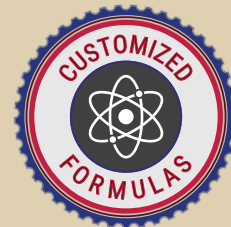
Impervious to:

- Oil/Grease • Brine
- Cleaning Solutions
- Hydraulic Fluids • Diesel Fuel

Rubber Deteriorates



- Engineered to Function
- Providing Peak Performance
 - Improving Ride Quality
- Absorbs Shock or Transfers Energy
 - Exceeds OE Specs
 - Longer Lasting Parts



ATRO Polyurethane vs Rubber

- 2-5 Times Stronger
- Rebound & Compression
- Tensile & Tear Strength
- Elongation Properties
- Ranging Durometer

ADDITIONAL CARRIER BEARING ASSEMBLIES ON BACK

PS007-112420



**WITH ATRO BEHIND YOU,
DRIVE FORWARD.**

SUSPENSION » TORQUE ROD » TRAILER » UNDERHOOD

6 Bolte Lane
St. Clair, Missouri 63077 | U.S.A.
(800) 325.6114 | Fax (866) 920.2005
www.atrobushing.com

©2020 ATRO ENGINEERED SYSTEMS, INC.

NOVEMBER 24, 2020

PRODUCT SPOTLIGHT

CR00-67121

Carrier Bearing Assembly Series 1710

REPLACES

Dana-Spicer 210121-1X

DIMENSIONS

ASSEMBLY:

Height: 6-5/16"

Width: 2-1/4"

Length: 9-1/4"

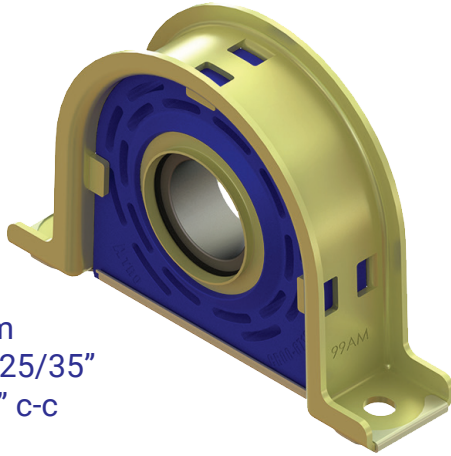
BEARING:

Bearing ID: 50mm

Center Height: 2-25/35"

Bolt Holes: 7 5/8" c-c

Bolt Size: 1/2"



CR00-67825

Carrier Bearing Assembly Series 1810

REPLACES

Dana-Spicer 210661-1X

DIMENSIONS

ASSEMBLY:

Height: 7-1/4"

Width: 3"

Length: 10"

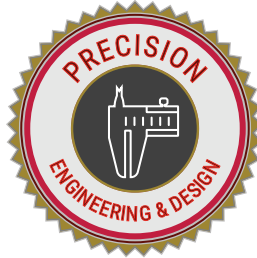
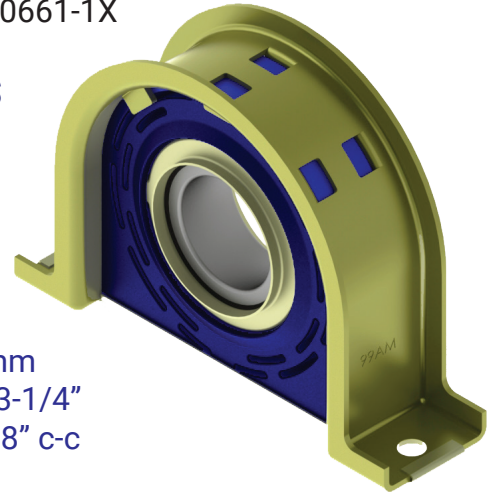
BEARING:

Bearing ID: 60mm

Center Height: 3-1/4"

Bolt Holes: 8 5/8" c-c

Bolt Size: 1/2"



COMPONENT	FEATURES	BENEFITS
Slotted Insulator	ATRO's proprietary, high quality polyurethane	Longer Life Reduced Vibration Resistant to Chemicals (i.e. oil, fuel, road salt, cleaning solvents, etc.)
Sealed Bearing	Permanent, double seal	Keeps contamination out Permanently lubricated
Bearing Dust Shield	Zinc electroplating Sealed bearing	Corrosion Resistant Protection from road debris
Steel Bracket	10 gauge steel Zinc Electroplating	Strength & Durability Corrosion Resistant

6 Bolte Lane

St. Clair, Missouri 63077 | U.S.A.

(800) 325.6114 | Fax (866) 920.2005

www.atrobushing.com

©2020 ATRO ENGINEERED SYSTEMS, INC.

ATRO
ENGINEERED SYSTEMS

**WITH ATRO BEHIND YOU,
DRIVE FORWARD.**

SUSPENSION » TORQUE ROD » TRAILER » UNDERHOOD