

OCTOBER 15, 2021

TECHNICAL BULLETIN

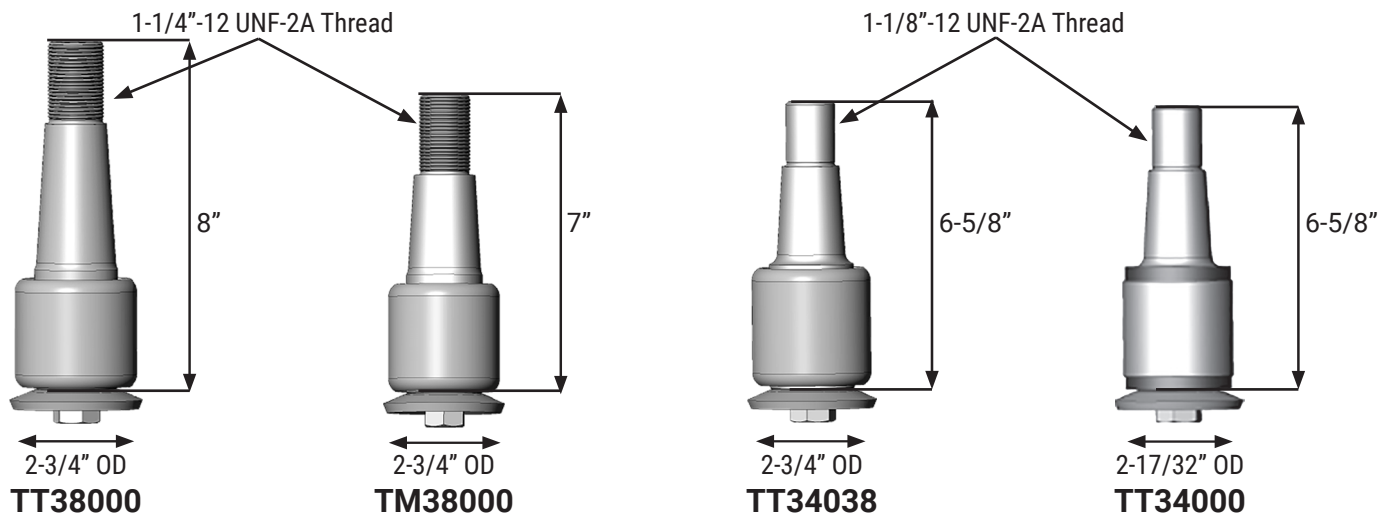


TAPER PIN BUSHING IDENTIFICATION

KEY MEASUREMENTS

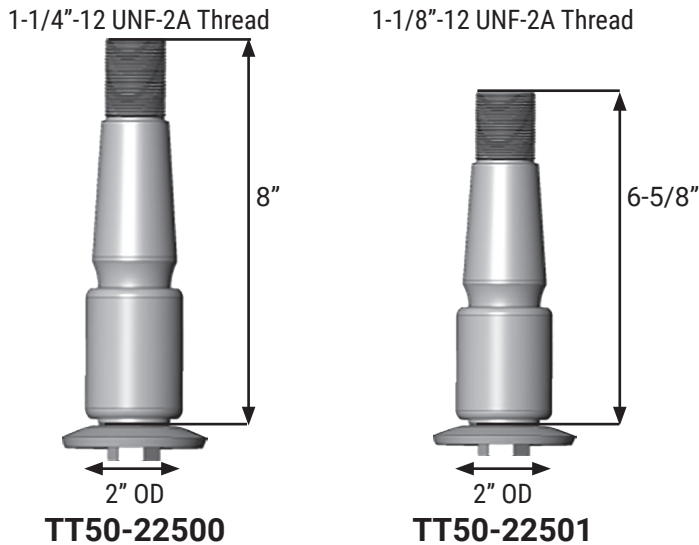
- Bushing Outside Diameter (OD)
- Total Length of Taper, including bushing but not including the retaining washer
- Thread Size

PRESS FIT TAPER BUSHINGS



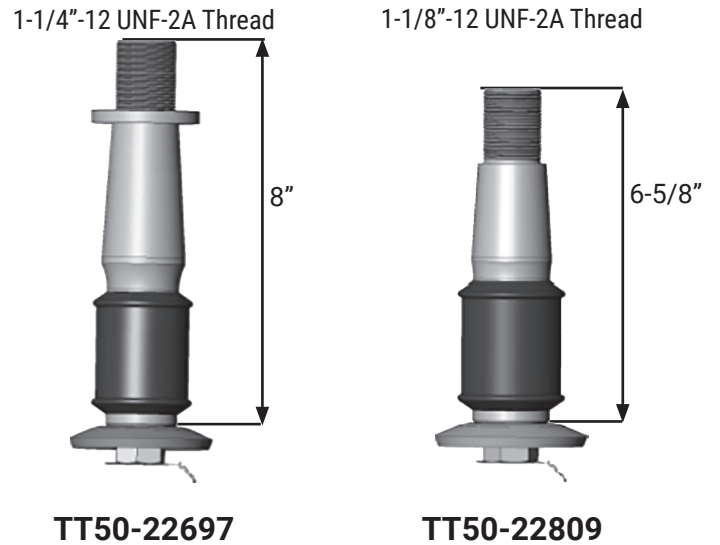
PRESS FIT TAPER BUSHINGS

For ATRO Small Eye Rods **ONLY**



JAM STYLE TAPER BUSHINGS

For Hendrickson **ULTRA ROD®**



TB002-101521



**WITH ATRO BEHIND YOU,
DRIVE FORWARD.**

DRIVELINE » STEERING » SUSPENSION » TORQUE ROD »
TRAILER » UNDERHOOD & CAB

6 Bolte Lane
St. Clair, Missouri 63077 | U.S.A.
(800) 325.6114 | Fax (866) 920.2005
www.atrobushing.com

©2021 ATRO ENGINEERED SYSTEMS, INC.

ATRO Engineered Systems, Inc. is not liable for any errors herein. All manufacturers' names and part numbers are used without permission; no endorsement, affiliation, or recommendation is implied. They are included for reference purposes only.