

AUGUST 16, 2021

PRODUCT ANNOUNCEMENT



Chalmers Torque Rod Bushing Kits

- Convenience of ordering 1 part number to do the job
- 2 piece torque rod bushings make installation easier and faster
- Resistant to chemicals (lime, corrosive solvents, road wash, etc.)

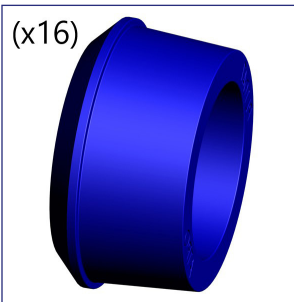
KT19-22000 Torque Rod Bushing Kit

Replaces:

Chalmers 22128; 22128CS1
Automann TRB6328; TRB6328UB
Dayton Parts 321-273U; 321-273
Dyco D187
Euclid E-4677A; E-7427; E-8701
Flagg CHA22UB; CHA22
Gaff 18919
Meritor R304677A; R307427; R308701

Contains: (16) PL1047 bushings

UPC Code: 751354042559



KT19-22001 Torque Rod Bushing Kit

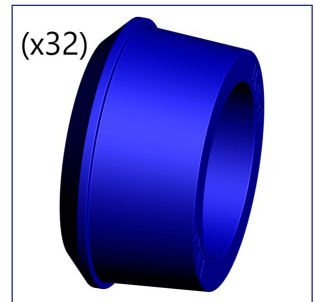
Replaces:

Chalmers 22128; 22128CS1
Automann TRB6328; TRB6328UB
Dayton Parts 321-273U; 321-273
Dyco D187
Euclid E-4677A; E-7427; E-8701
Flagg CHA22UB; CHA22
Gaff 18919
Meritor R304677A; R307427; R308701

Contains: (32) PL1047 bushings

UPC Code: 751354042566

KIT WILL REBUSH COMPLETE TRUCK



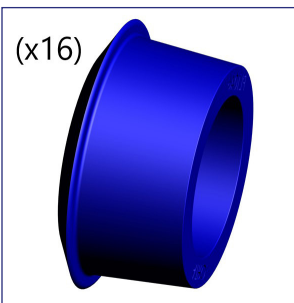
KT19-22002 Torque Rod Bushing Kit

Replaces:

Chalmers 800010; 800010CS1
Automann TRB8644; TRB8644UB
Dayton Parts 321-276U; 321-276
Dyco D186
Euclid E-7426; E-7766
Flagg CHA54UB; CHA54
Gaff 11739
Mack 10QK399
Meritor R307426; R307766

Contains: (16) PL1046 bushings

UPC Code: 751354042573



KT19-22003 Torque Rod Bushing Kit

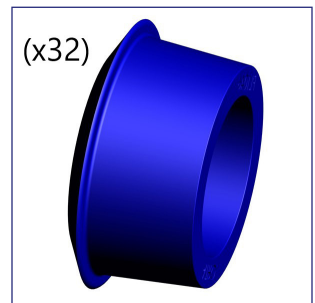
Replaces:

Chalmers 800010; 800010CS1
Automann TRB8644; TRB8644UB
Dayton Parts 321-276U; 321-276
Dyco D186
Euclid E-7426; E-7766
Flagg CHA54UB; CHA54
Gaff 11739
Mack 10QK399
Meritor R307426; R307766

Contains: (32) PL1046 bushings

UPC Code: 751354042580

KIT WILL REBUSH COMPLETE TRUCK



Scan to learn more
about the Chalmers
Suspension →



ATRO
ENGINEERED SYSTEMS

WITH ATRO BEHIND YOU, DRIVE FORWARD

ATROBUSHING.COM | 1.800.325.6114

PA004-081621

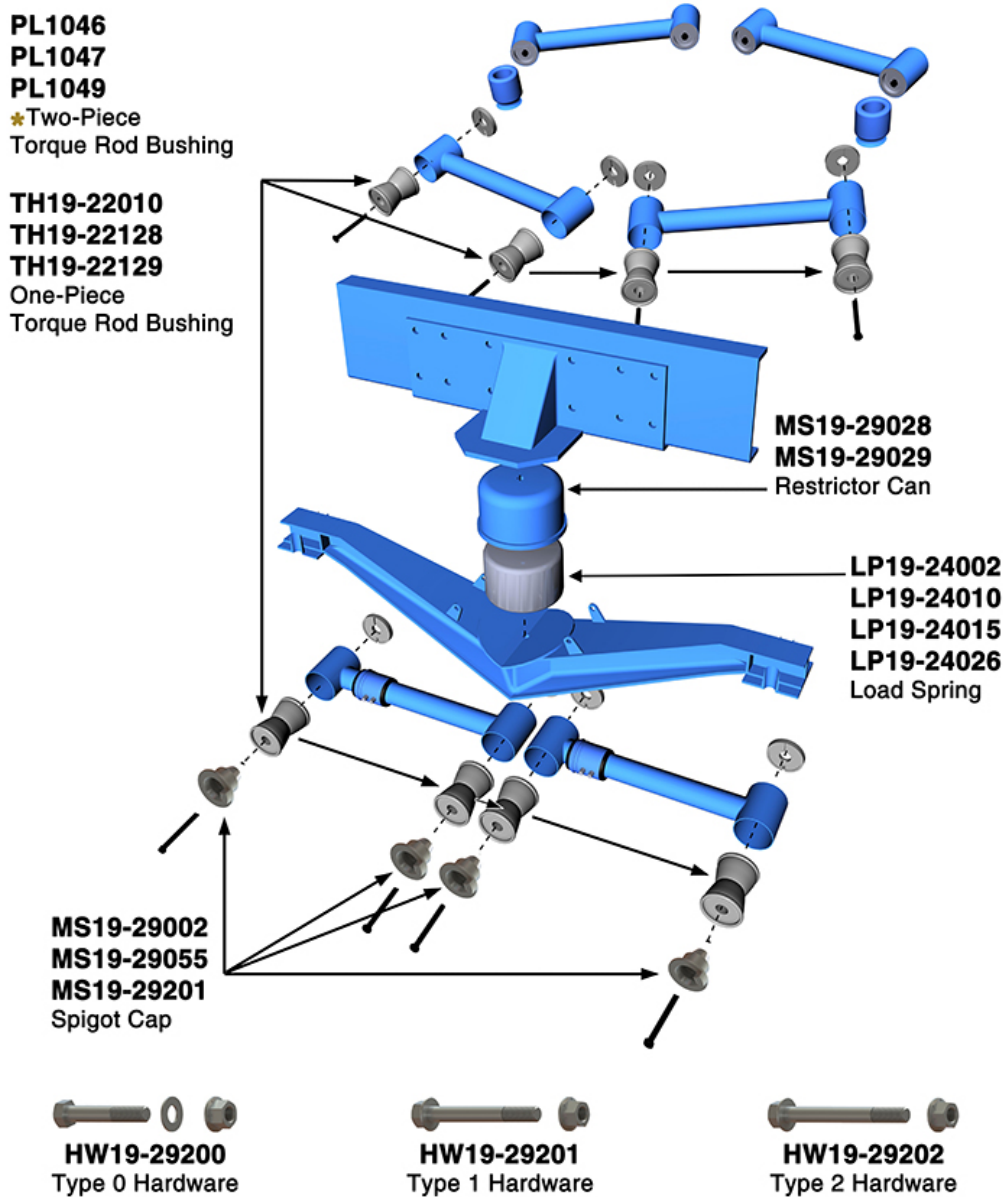
ATRO Engineered Systems, Inc. is not liable for any errors herein. All manufacturers' names and part numbers are used without permission; no endorsement, affiliation, or recommendation is implied. They are included for reference purposes only. ©2021 ATRO ENGINEERED SYSTEMS, INC.

CHALMERS SUSPENSIONS

Chalmers 800 Series Suspension

The Chalmers 800 Series suspension is a walking beam-style tandem axle rear suspension that uses two large elastomeric load springs and eight large torque rods, 4 upper and 4 lower. This design allows for a large degree of articulation so the load is equalized while keeping the tires in contact with the ground.

APPLICATIONS: Dump, Mixers, Tankers, Refuse, and Logging



PA004-081621

ATRO
ENGINEERED SYSTEMS

**WITH ATRO BEHIND YOU,
DRIVE FORWARD.**

STEERING » SUSPENSION » TORQUE ROD » TRAILER » UNDERHOOD

6 Bolte Lane
St. Clair, Missouri 63077 | U.S.A.
(800) 325.6114 | Fax (866) 920.2005
www.atrobushing.com

©2021 ATRO ENGINEERED SYSTEMS, INC.